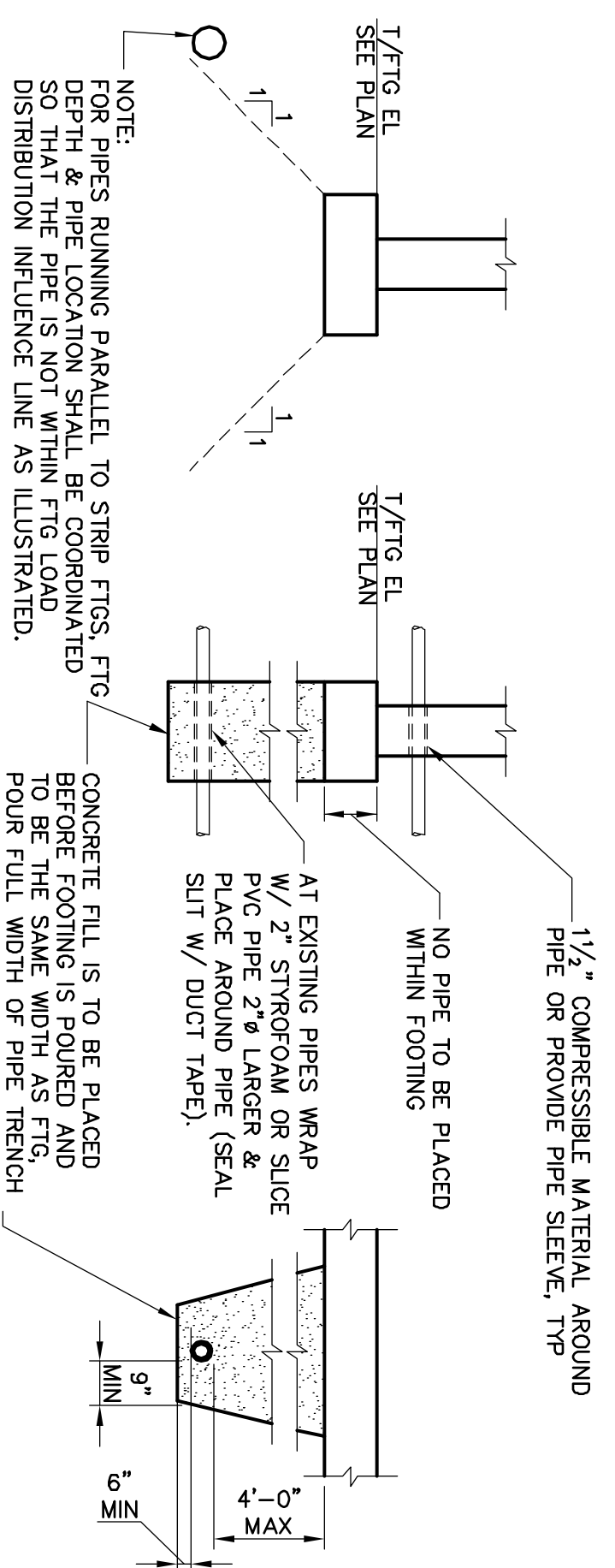
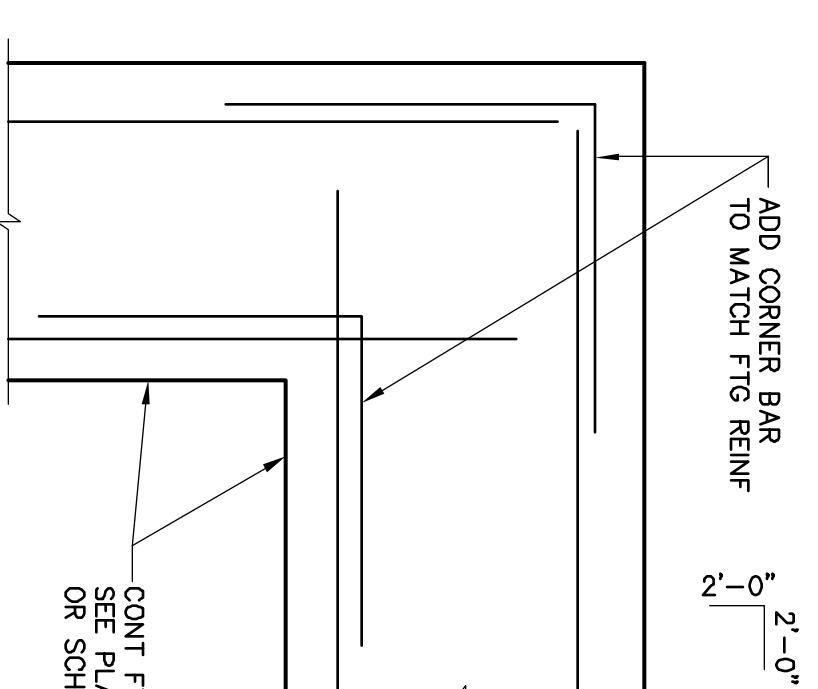


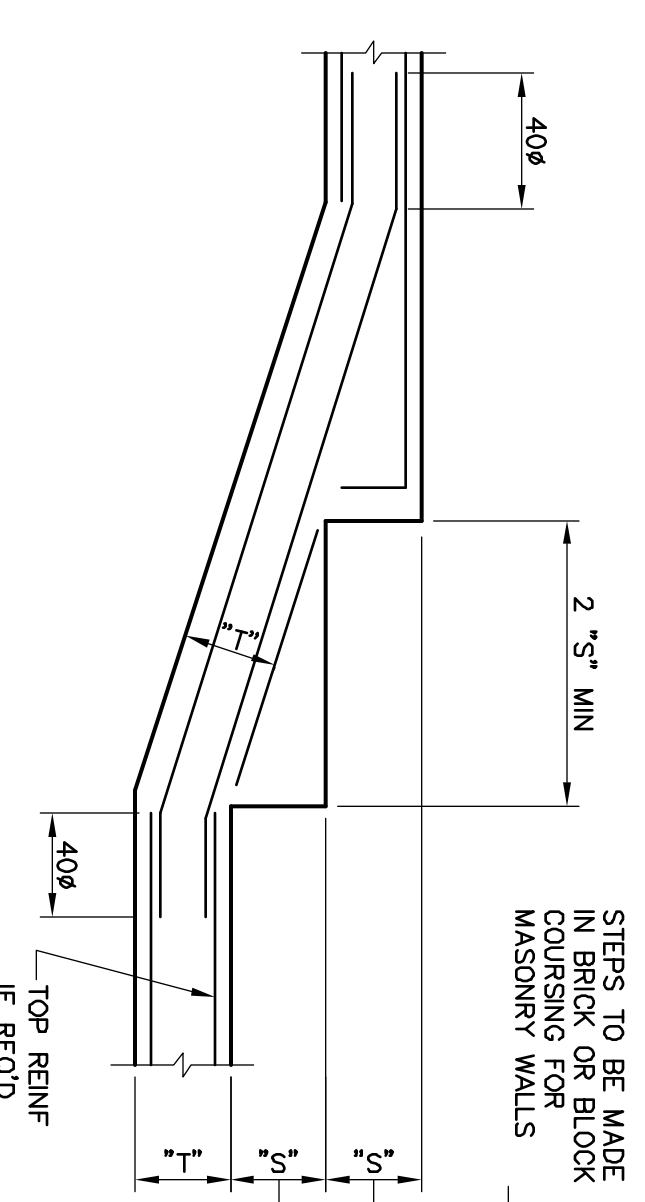
TYPICAL SLAB ON GRADE JOINTS
 1) JOINTS CONSTRUCTION JOINT INSTEAD OF CRACK CONTROL JOINT WHEREVER CONSTRUCTION IS STOPPED OR WHERE CALLED FOR ON PLAN.
 2) RECOMMENDED BY COTECHNICAL REPORT FOR THE PROJECT.



TYP PIPE PARALLEL TO WALL TYP PIPE PENETRATION THRU WALL

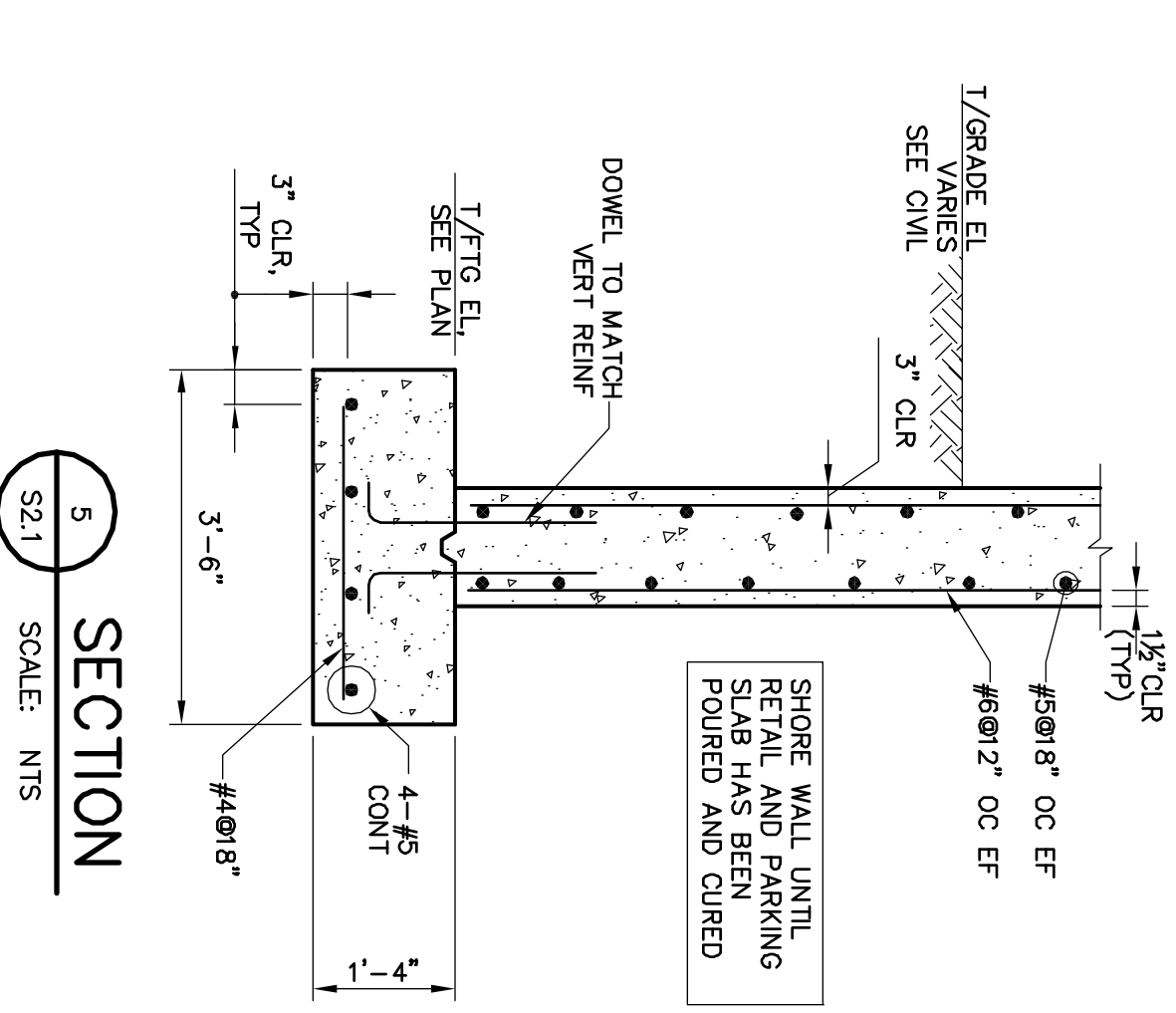


3 DETAIL SCALE: NTS

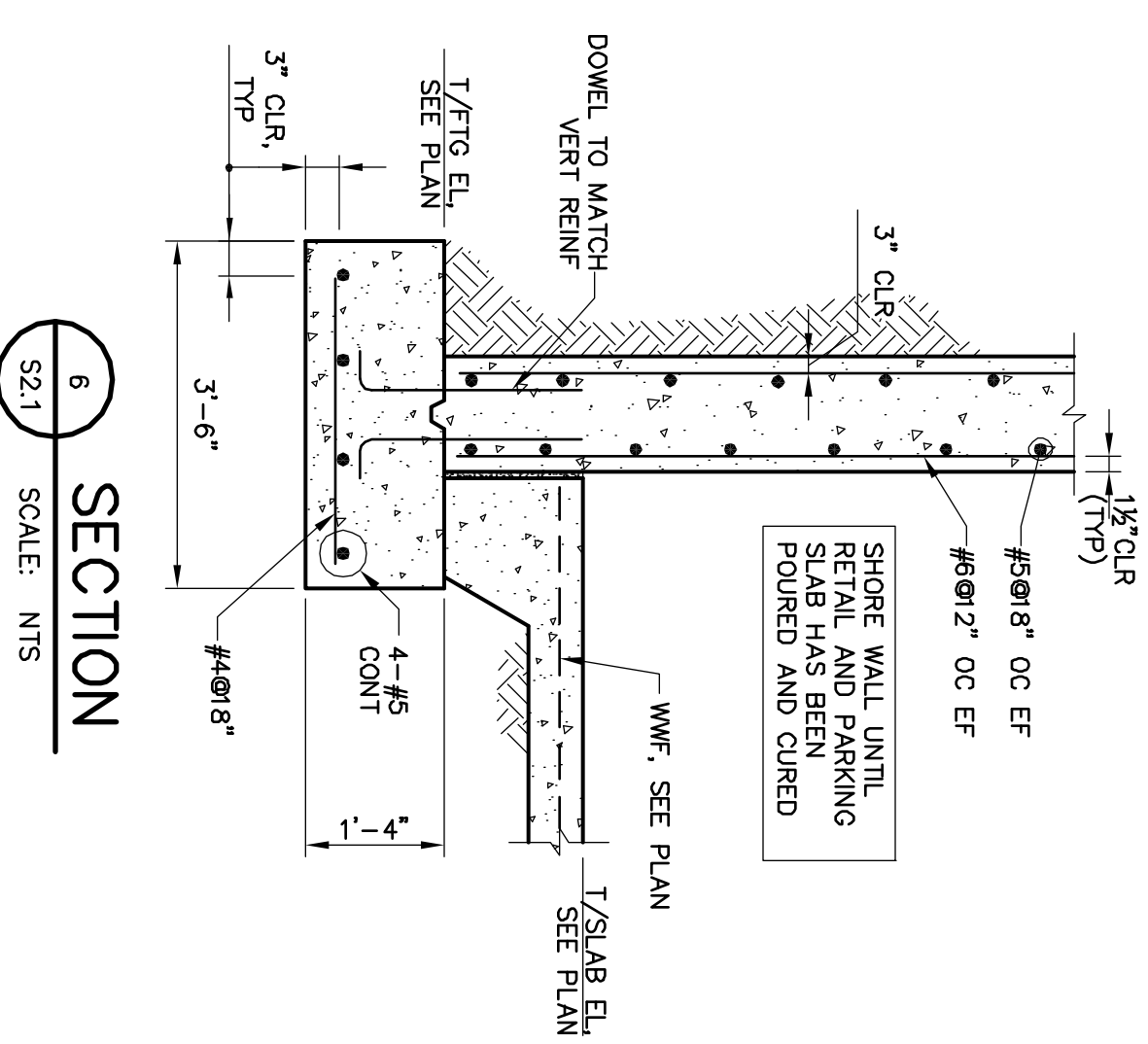


TYPICAL STEP IN WALL FOOTING

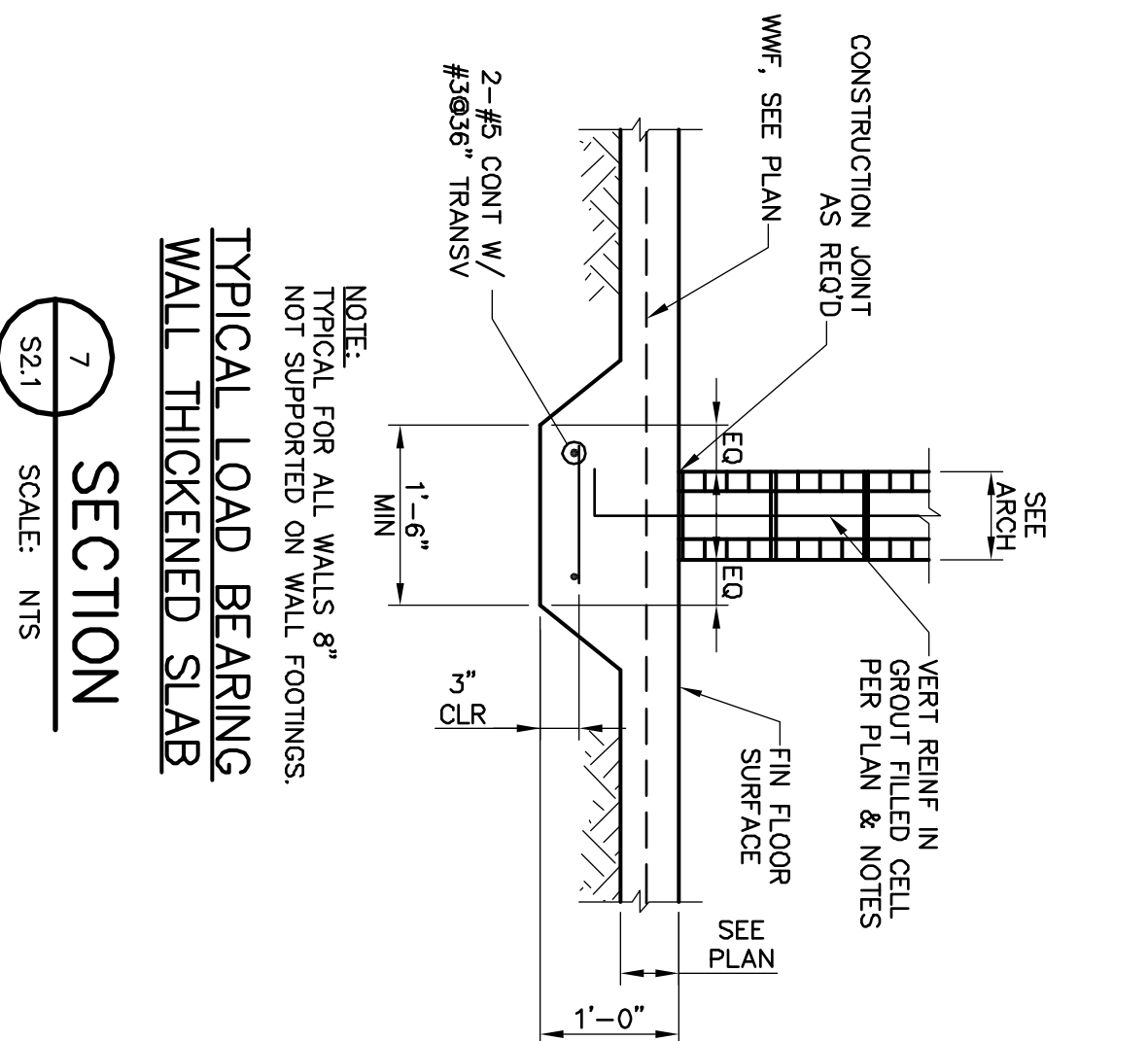
4 SECTION SCALE: NTS



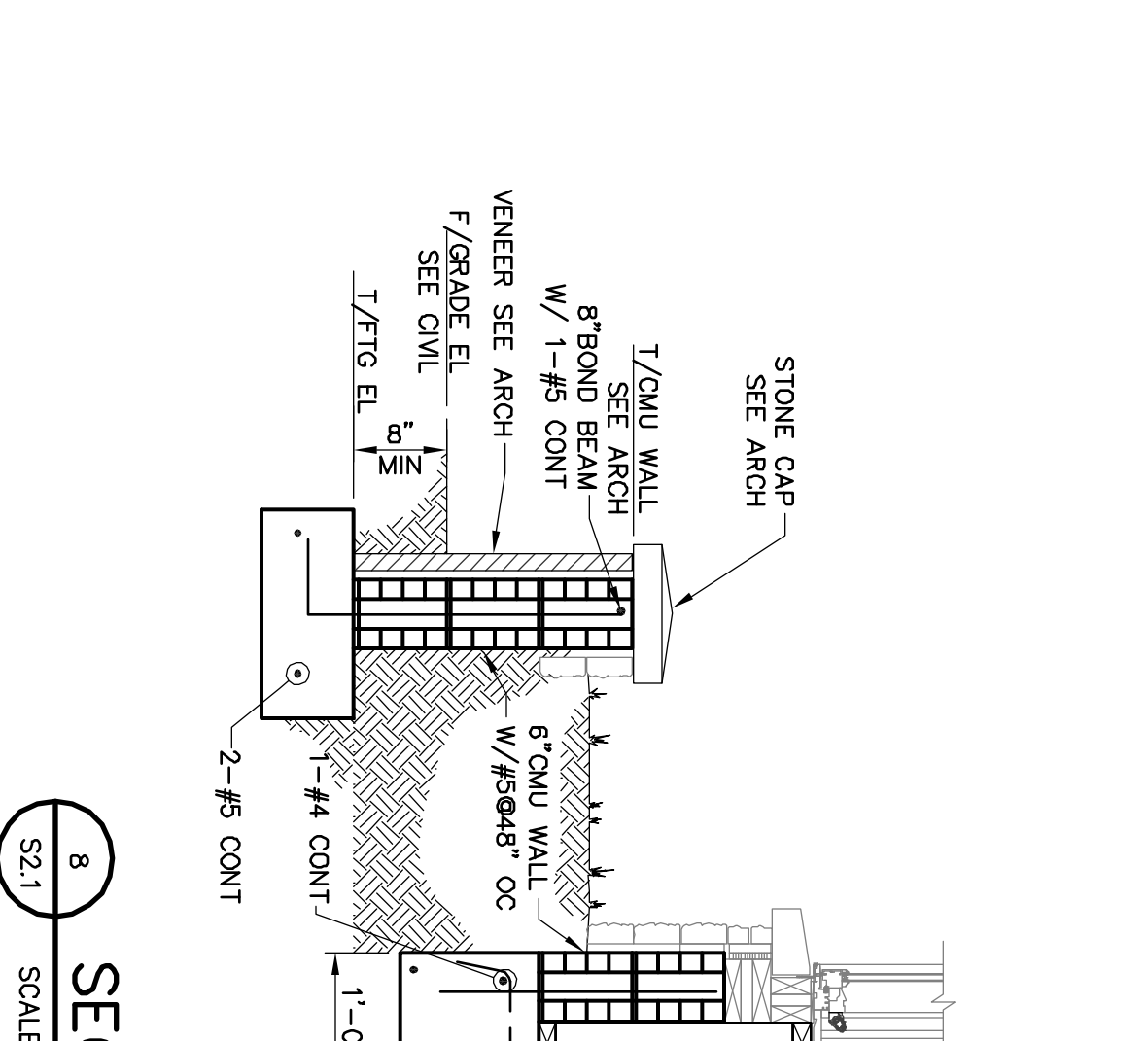
1 DETAIL SCALE: NTS



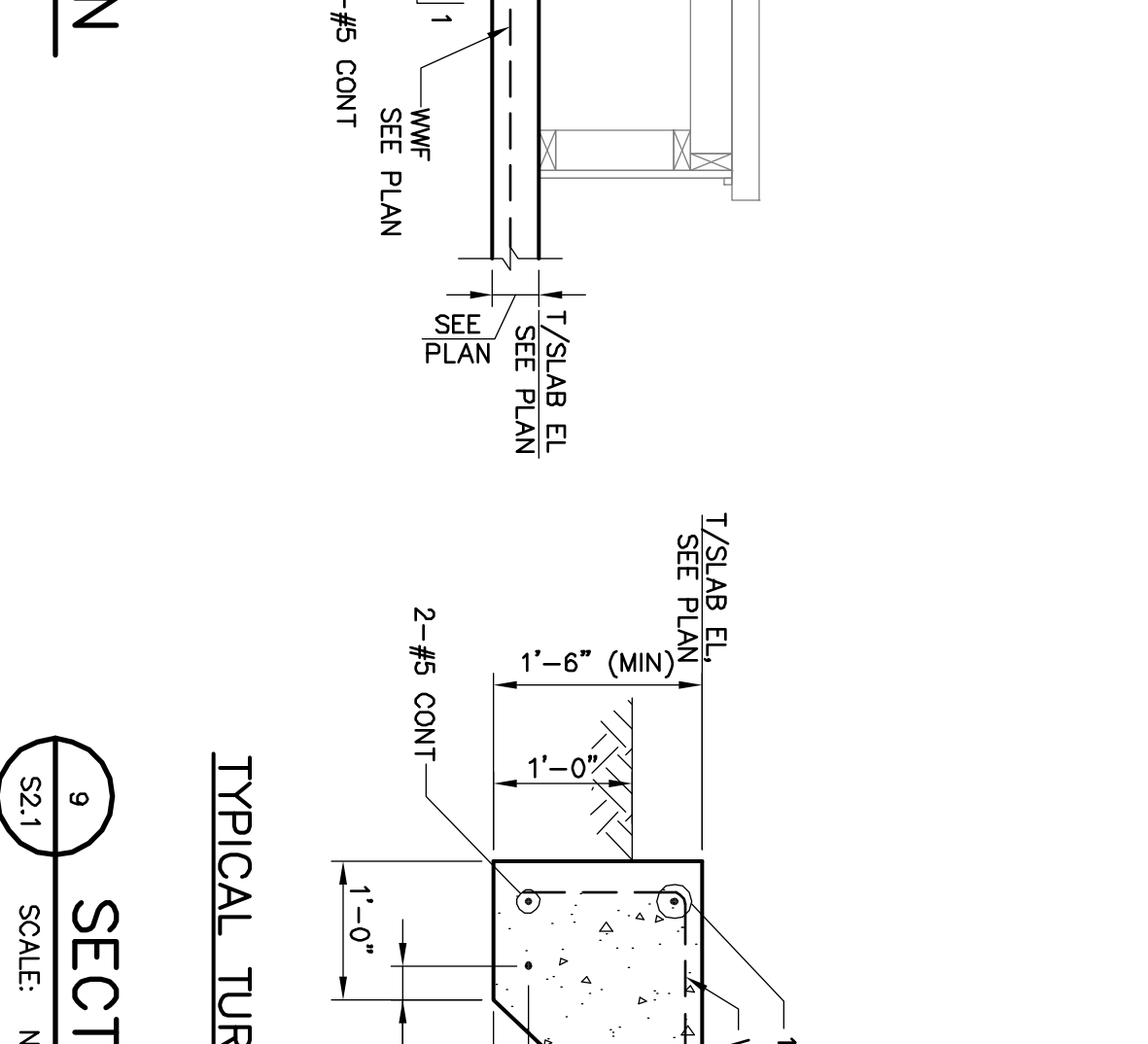
5 SECTION SCALE: NTS



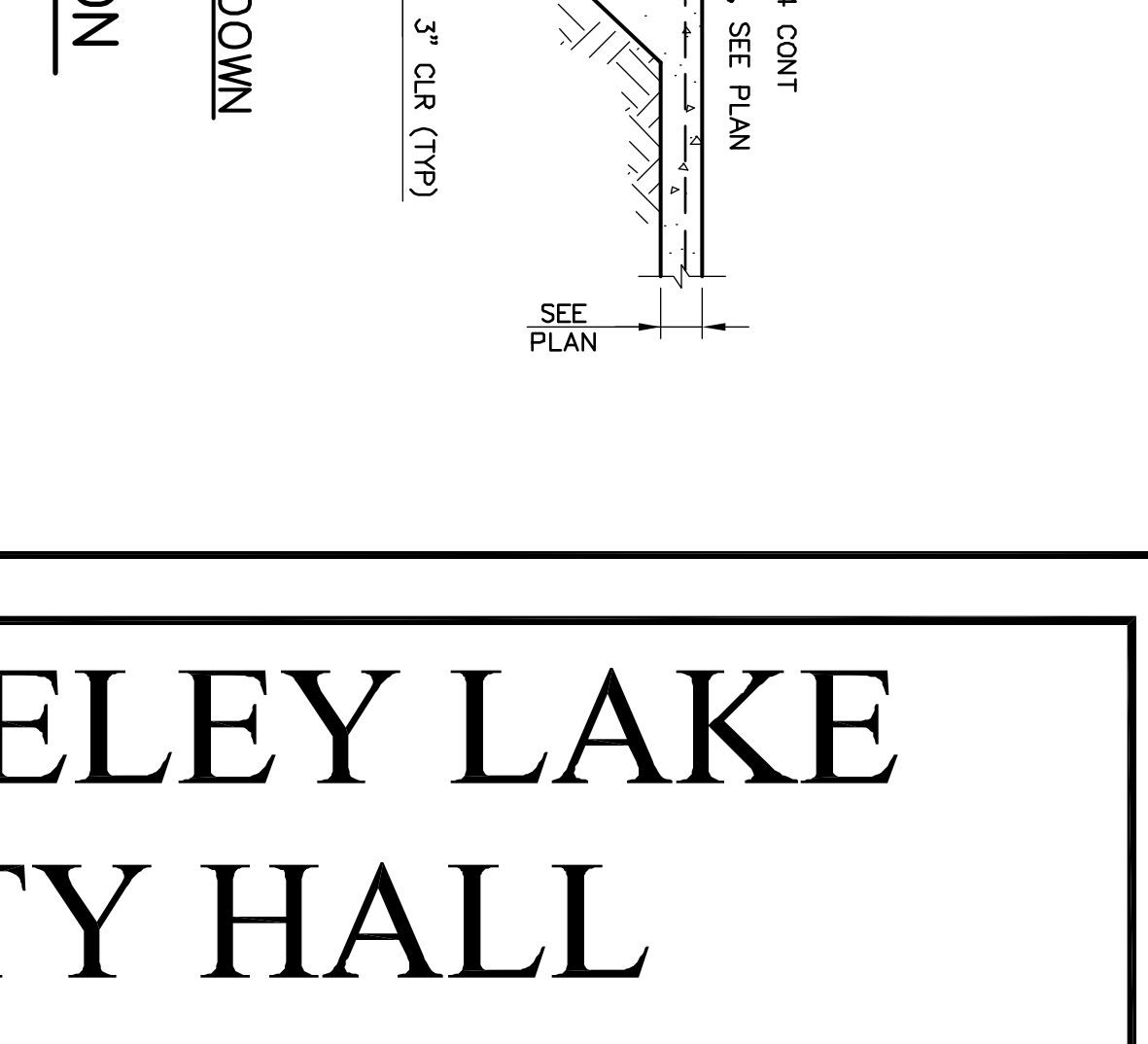
6 SECTION SCALE: NTS



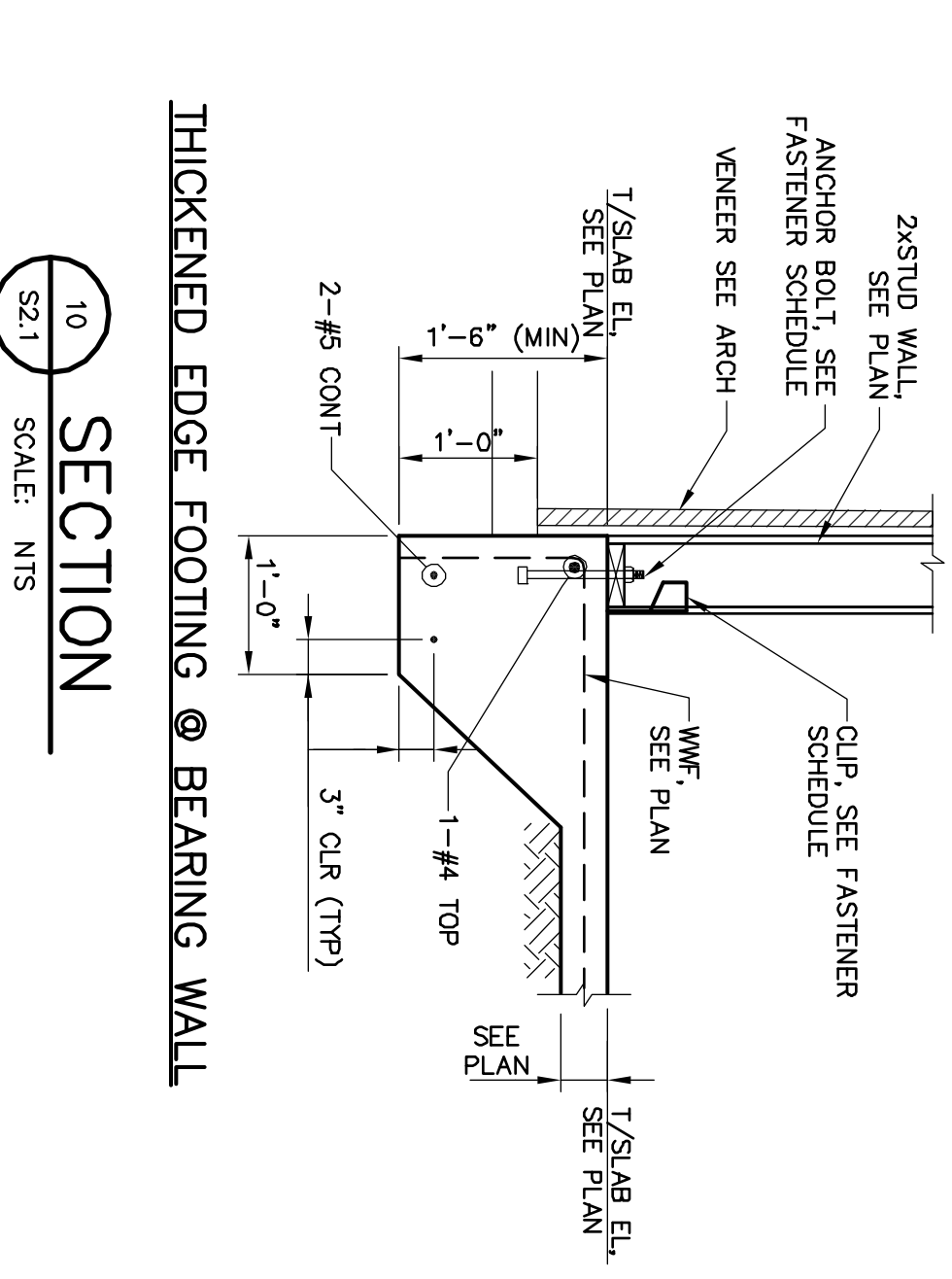
7 SECTION SCALE: NTS



8 SECTION SCALE: NTS



9 SECTION SCALE: NTS



10 SECTION SCALE: NTS



SECTION SCALE: NTS



SECTION SCALE: NTS

WAKEFIELD BEASLEY ASSOCIATES
 ARCHITECTS INTERIORS
 5155 Peachtree Parkway
 Building 300, Suite 2200
 Norcross, Georgia 30092
 770 209 8393 fax: 770 209 7050 int

BERKELEY LAKE CITY HALL
 XXXX SOUTH BERKELEY LAKE ROAD
 BERKELEY LAKE, GEORGIA 30333

MCVEIGH & MANGUM ENGINEERING+INC
 340 Buckhead North Drive, Suite 200
 Atlanta, Georgia 30326
 Tel: (404) 251-1010 Fax: (404) 251-1017
 Email: info@mcveigh.com License No.: 30197

Revisions	
Issue	16/1/16
09-13-2008	07/26/2008
Sheet Title	
SECTIONS AND DETAILS	
Sheet No.	S2.1